

# Section 17

---

## Meters



Vision Slot upright machines are equipped with as many as six mechanical meters, mounted on the right side of the enclosure next to the stepper reels. The mechanical meters display lifetime cumulative data. Check the sales order and the label on each meter to confirm the statistical category tabulated by each meter.

---

**Note:** *In some game versions, the meters count in dollar increments regardless of the denomination of the machine.*

---

Topics in this section include the following:

- **Section 17.1, Meter Categories** – provides definitions of the common mechanical meter categories.
- **Section 17.2, Meter Removal and Installation** – describes meter assembly removal and installation procedures.
- **Section 17.3, Meter Functional Verification** – provides functional verification procedures.

---

## 17.1 Meter Categories

Included below are definitions of the common mechanical meter categories.

- **Coins In** – The coins-in meter increments differently depending on game mode. When the game is in the noncredit mode, this meter counts physical coins accepted. In the credit mode, the meter increments once for each coin accepted or credit bet.
- **Coins Out** – The coins-out meter increments differently depending on game mode. When the game is in the noncredit mode, this meter counts physical coins paid out. In the credit mode, this meter increments each time a coin is paid out and each time a credit is bet.
- **Coins Drop** – This meter only increments when the hopper is full. It counts coins diverted to the drop box.
- **Jackpots x 10** – This meter increments one time for every 10 coins won.
- **Games Played** – This meter increments each time a player begins a game by pushing the Spin Reels switch on the player panel.



17

Meters

## 17.2 Meter Removal and Installation

To remove or install the meter assembly or an individual meter from the enclosure, see Figure 17-1 and proceed as follows.

### 17.2.1 Meter Assembly Removal

1. Open the machine door and turn the **power off**.
2. Remove the reel closest to the meter assembly. Refer to Section 12, Stepper Reels, for removal and installation procedures.
3. Disconnect the meter harness at the connector.
4. Remove the three screws that fasten the meter assembly to the mounting bracket.

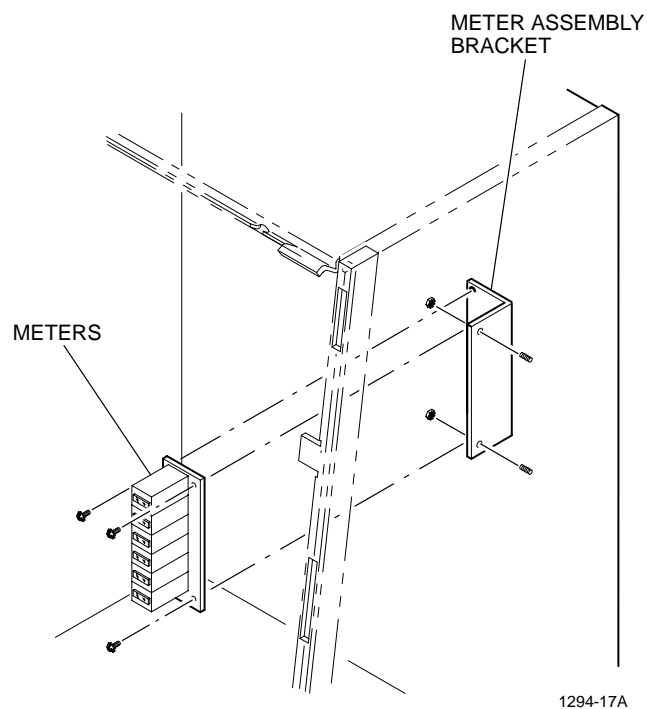


Figure 17-1. Meter Assembly Removal.



## 17.2.2 Meter Assembly Installation

1. Align the mounting holes on the meter assembly to the mounting posts on the mounting bracket.
2. Fasten the meter assembly to the mounting bracket with three screws.
3. Connect the meter harness at the connector.
4. Replace any components that were removed to gain access to the meter assembly.
5. Turn the **power on**, close and lock the machine door.



17

Meters

---

## 17.3 Meter Functional Verification

To test the meters, play a number of games and observe each meter. Verify that each meter increments properly. Refer to the definitions given previously for each meter category.



