

Section 15

Machine Glass

This section provides procedures for the removal and replacement of machine glass. These machines use three types of glass: belly glass, reel glass and top box glass.

Information in this section includes:

- **Section 15.1, Routine Maintenance** – provides guidelines for regular inspection or cleaning of machine glass.
- **Section 15.2, Belly Glass Removal and Installation** – provides instructions for the removal and installation of glass located in the belly door of the machine door.
- **Section 15.3, Reel Glass Removal and Installation** – provides instructions for the removal and installation of glass in the reel portion of the machine door.
- **Section 15.4, Top Box Glass Removal and Installation** – provides instructions for the removal and installation of glass in the top box.



15.1 Routine Maintenance

Inspection

Confirm that the glass is free from cracks or scratches, and that the information displayed on the glass is correct.

Cleaning

Clean the glass with a mild, anti-static glass cleaner and a soft, lint-free cloth.



15.2 Belly Glass Removal and Installation

The belly glass is attached to the inside of the belly door.

Removal

1. Open the machine door; turn **power off**.
2. Unlock the belly door and open it by pulling the latch pin on the side of the belly door and flipping the belly door down.
3. Remove the belly door fluorescent assembly. Refer to Section 14, Fluorescent Lighting for this procedure.
4. Remove the three screws and the fluorescent bracket/glass clamp from the belly door (see Figure 15-1).
5. Carefully lift the belly glass out of the belly door.

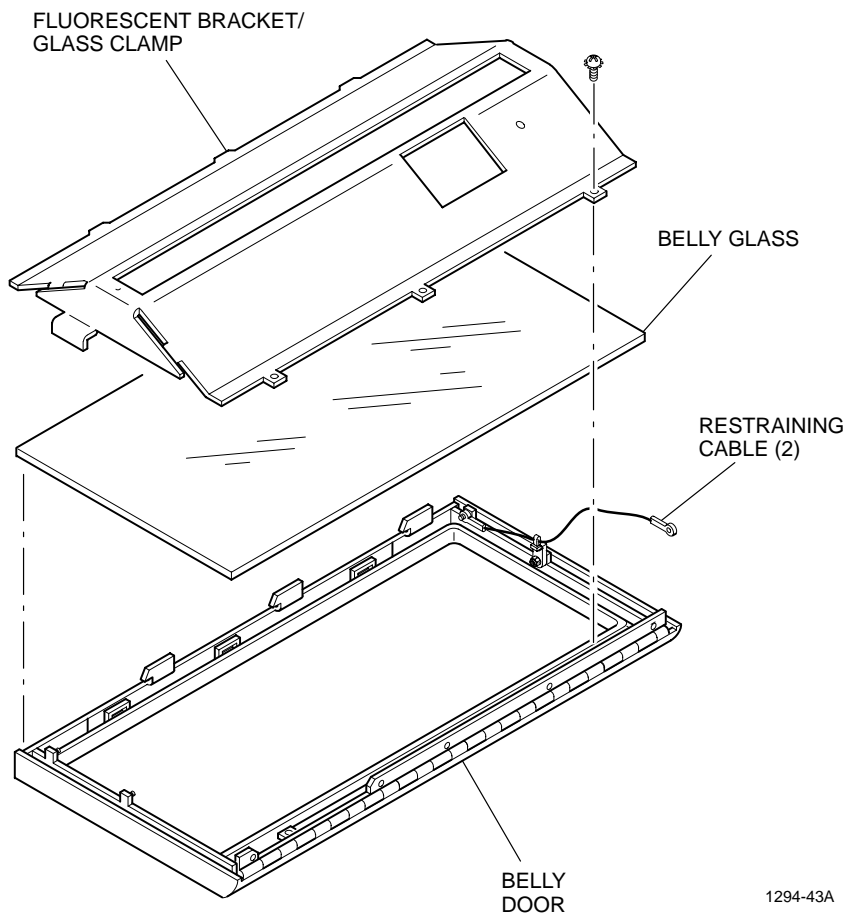


Figure 15-1. Belly Glass Removal.



WARNING: Handle all glass with extreme care to avoid breakage or potential injury from sharp edges.

Installation

1. Carefully place the belly glass onto the belly glass frame, making sure the glass fits evenly on the rim of the glass opening. Make sure the braided grounding strap at the hinge of the belly door does not become trapped under the glass.
2. Align the fluorescent bracket so that the rubber strips on the bottom of the assembly rest on the belly glass and holes in the tabs on the fluorescent bracket fit into the slots on the belly door.
3. Fasten the fluorescent bracket to the belly door with the three screws. **Do not** tighten securely at this time.
4. Hold the glass in place and check to make sure the belly glass fits evenly within the belly glass frame.
5. Tighten the three screws until the rubber strips on the bottom of the fluorescent bracket are compressed evenly against the glass surface. **Do not** overtighten.
6. Install the belly door fluorescent assembly. Refer to Section 14, Fluorescent Lighting for this procedure.
7. Close and lock the belly door.
8. Turn the **power on**; close and lock the machine door.



15.3 Reel Glass Removal and Installation

The glass that covers the reels is attached to the inside top portion of the machine door. In order to remove the reel glass from the door, the following components will also need to be removed: display assembly, reel glass fluorescent and the payline incandescent display assembly (if present). Figure 15-2 shows the removal of the reel glass and adjacent components.

Removal

1. Open the machine door and turn the **power off**.
2. Disconnect the connector linking the reel fluorescent harness with the ballast located on the upper left wall of the enclosure.
3. Disengage the fluorescent lamp by placing one hand at each end of the lamp and rotating the lamp until it disengages from the two sockets.
4. Disconnect the harness from the payline incandescent display assembly located at the right end of the reel glass. If the door does not include this assembly, proceed to Step 6.
5. Remove the payline incandescent display assembly. Refer to Section 16, Displays for details.
6. Remove the three screws from the display assembly and allow it to hang away from the glass.
7. Hold the glass in place and remove three nuts from the fluorescent mounting bracket and lift it away from the door.
8. Carefully lift the glass away from the door.

WARNING: Handle all glass with extreme care to avoid breakage or potential injury from sharp edges.



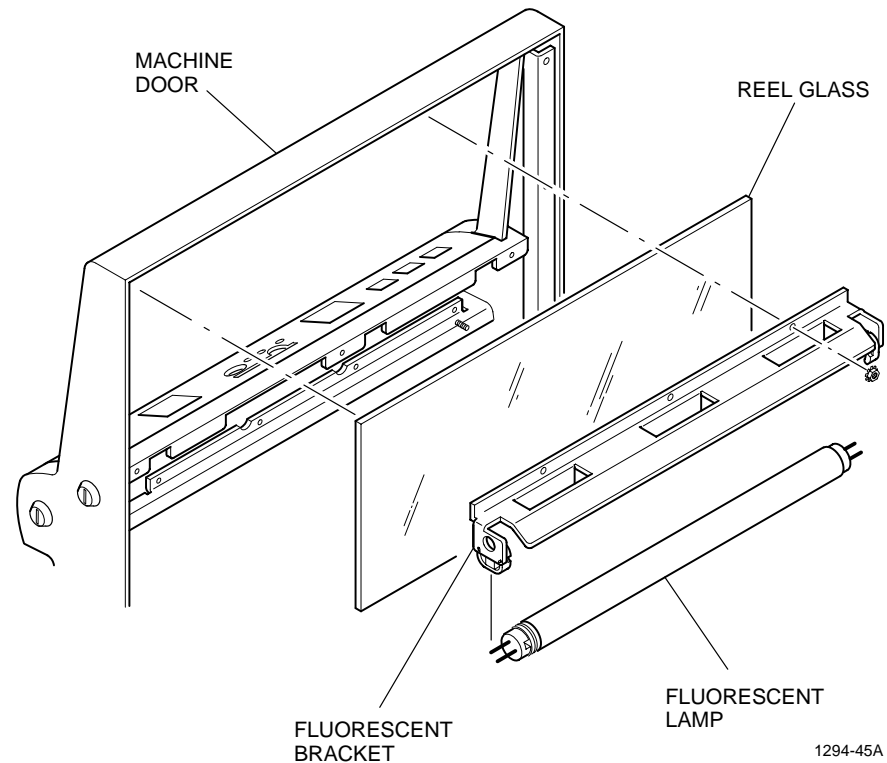


Figure 15-2. Reel Glass Removal.

Installation

1. Carefully place the reel glass against the upper glass frame.
2. Hold the reel glass in place and install the fluorescent mounting bracket against the reel glass and the top of the door frame.
3. Fasten the fluorescent mounting bracket to the door with the three nuts. **Do not** tighten securely at this time.
4. Install the digital display. Position the assembly against the bottom of the reel glass, sliding the assembly side to side until the LED displays line up with the windows in the glass, and secure the display board with the three screws.
5. Check to make sure the reel glass fits evenly with the reel glass frame and holds the glass firmly in place. Tighten all the hardware securing components to the reel glass. **Do not** overtighten.
6. Install the payline incandescent display assembly (if present). Refer to Section 16, Displays, for details.



7. Connect the fluorescent lamp by placing one hand at each end of the lamp and rotating the lamp until it engages into the two sockets.
8. Connect the reel fluorescent harness to the ballast.
9. Turn the **power on**; close and lock the machine door.



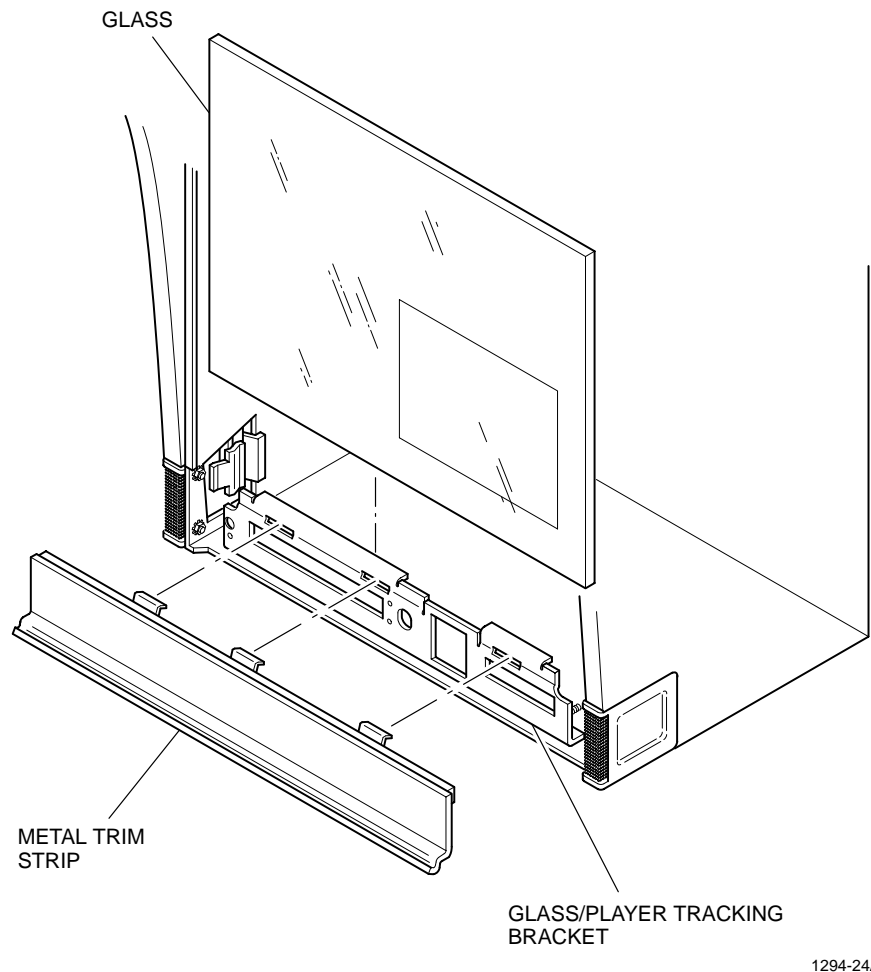
15.4 Top Box Glass Removal and Installation

To remove or install the top box glass, see Figure 15-3 and proceed as follows.

Caution: Handle all glass with extreme care to avoid breakage or injury from potentially sharp edges.

Removal

1. Open the machine door and turn the **power off**.



1294-24A

Figure 15-3. Top Box Glass Removal.



2. Locate the two half moon cutouts at the bottom front rim of the machine top box (left and right) and place your index fingers under the metal trim strip (this is either for the player tracking display and card reader or a blanking plate).
3. Lift the metal strip upward about 1/8" and tilt the bottom of the metal strip about 1/2" outward and away from the top box, and out of the machine.
4. Lift the top box glass upward about 1/8" and pull the bottom of the glass about 1/2" outward away from the top box and out of the machine. **Do not** let go of the glass.

Installation

1. Position and center the upper edge of the top box glass toward the top front rim of the machine top box.
2. Carefully slide the glass upward into the retaining slot in the upper edge of the top box.
3. Push the lower edge of the glass inward until it rests completely on the bracket on the lower front rim of the top box.
4. Insert the upper edge of the metal trim strip under the bottom of the glass and push the bottom inward until it locks into place.
5. Turn the **power on** and close and lock the machine door.



